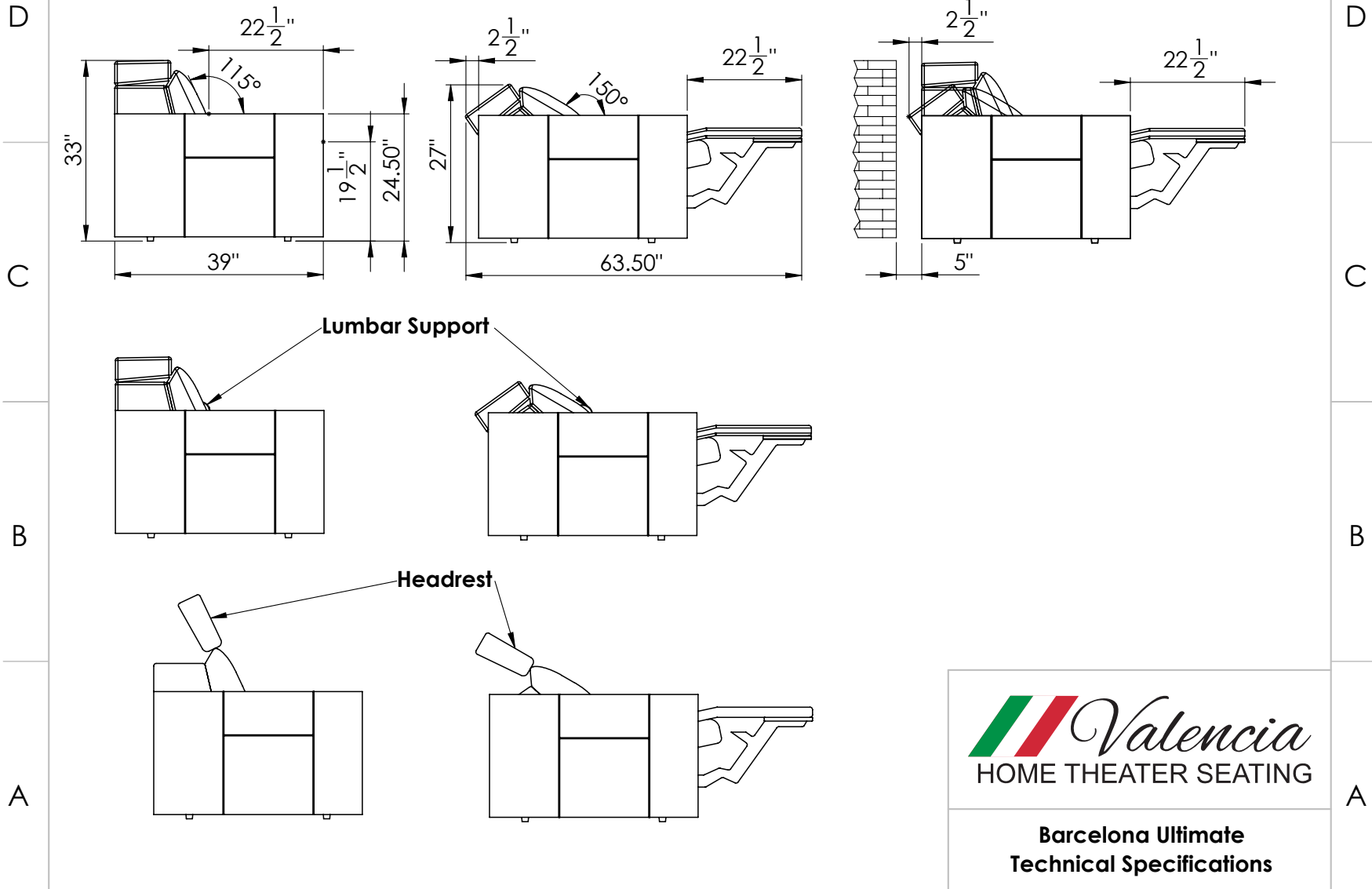


**Seating Positions**

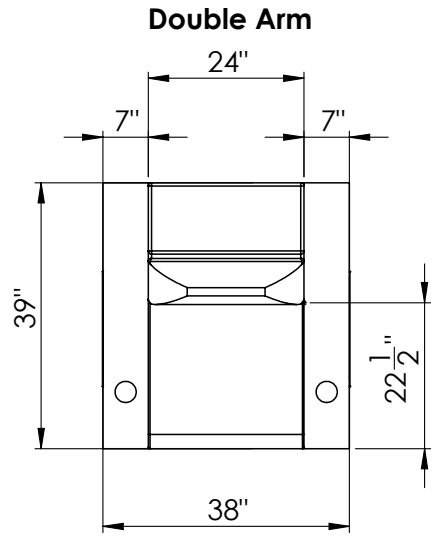
**Upright**

**Reclined**

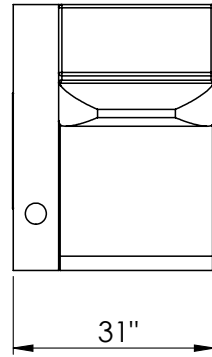
**Clearance required from Upright to Full Recline**



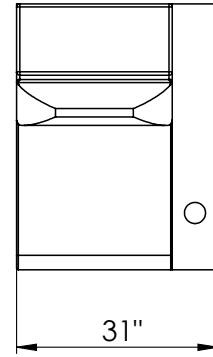
# Arm Configurations



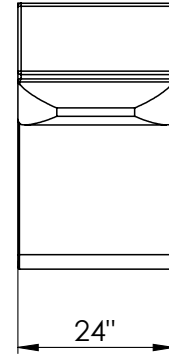
**Single Left Arm**



**Single Right Arm**



**No Arm**

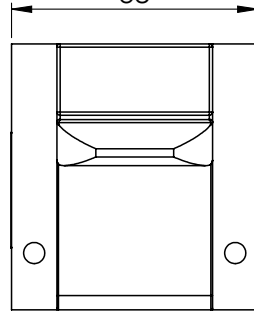


**Barcelona Ultimate  
Technical Specifications**

**Sample Seating Configurations**

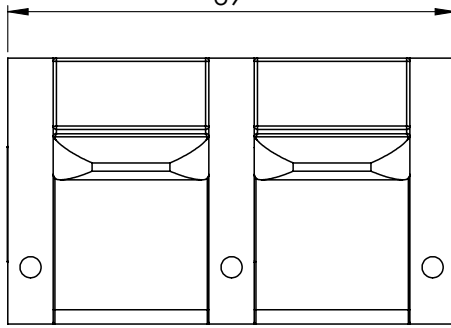
**Single**

38"



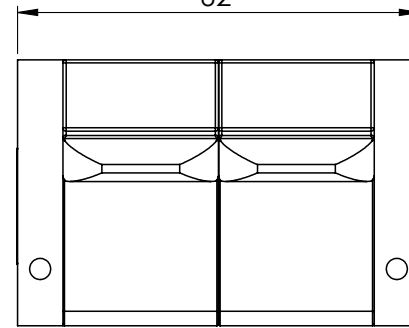
**Row of 2**

69"



**Loveseat**

62"



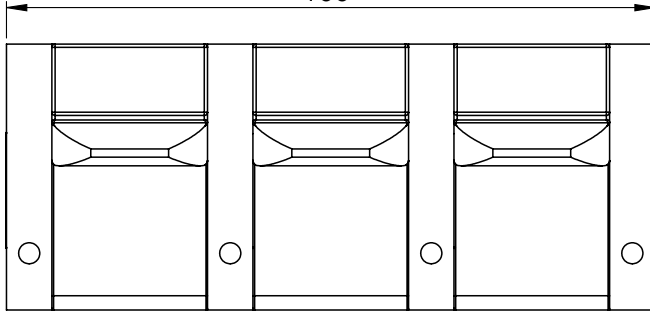
**Barcelona Ultimate  
Technical Specifications**

# Sample Seating Configurations

D

**Row of 3**

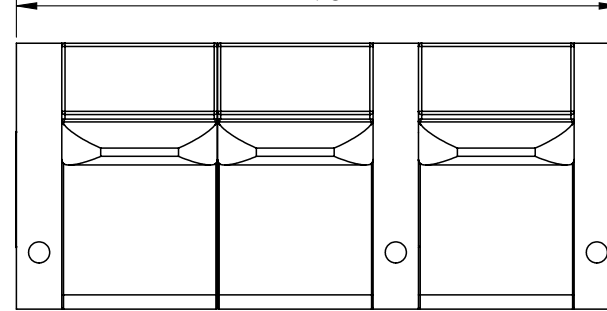
100"



C

**Loveseat Left**

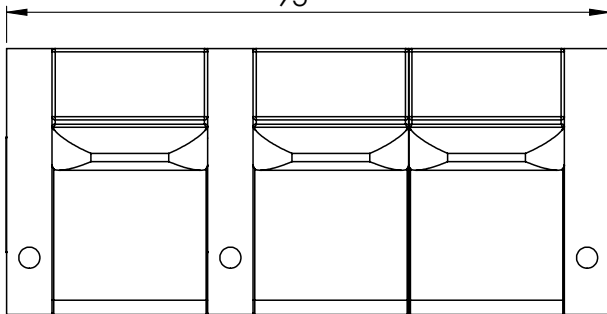
93"



D

**Loveseat Right**

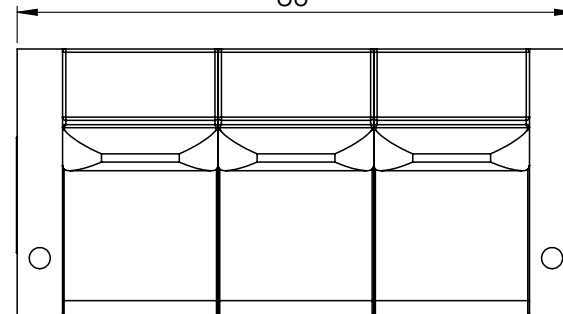
93"



B

**Set of 3**

86"



C

B

A

A



**Barcelona Ultimate  
Technical Specifications**

4

3

2

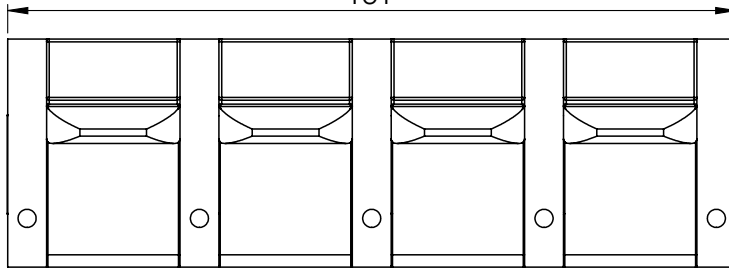
1

### Sample Seating Configurations

D

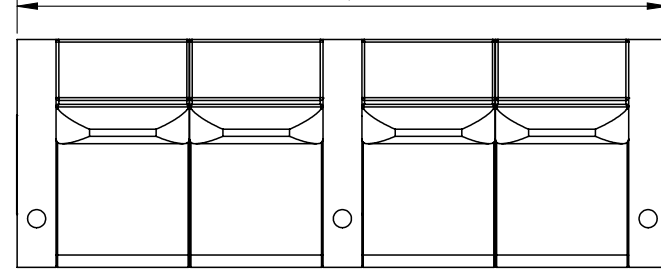
Row of 4

131"



Loveseat Double

117"

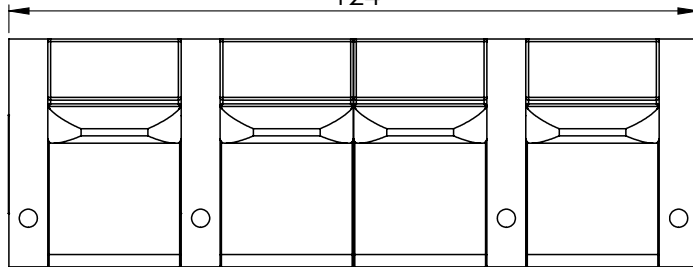


D

C

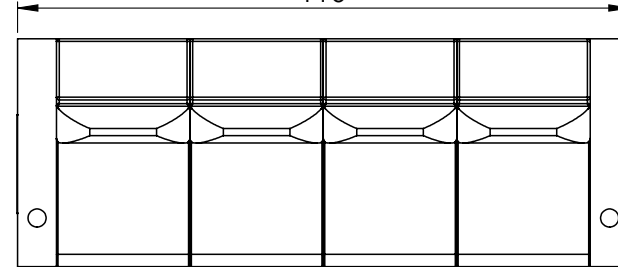
Loveseat Centre

124"



Set of 4

110"

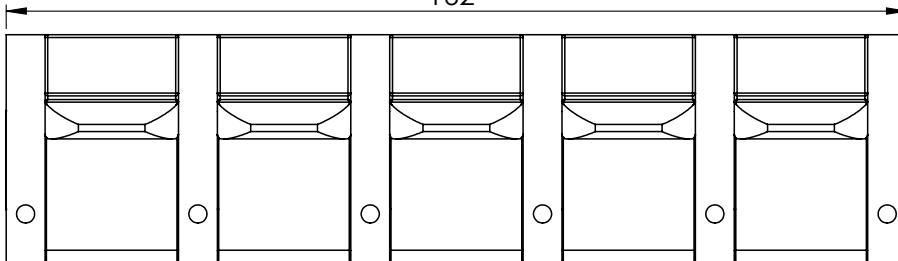


C

B

Row of 5

162"



B

A

 *Valencia*  
HOME THEATER SEATING

A

**Barcelona Ultimate  
Technical Specifications**

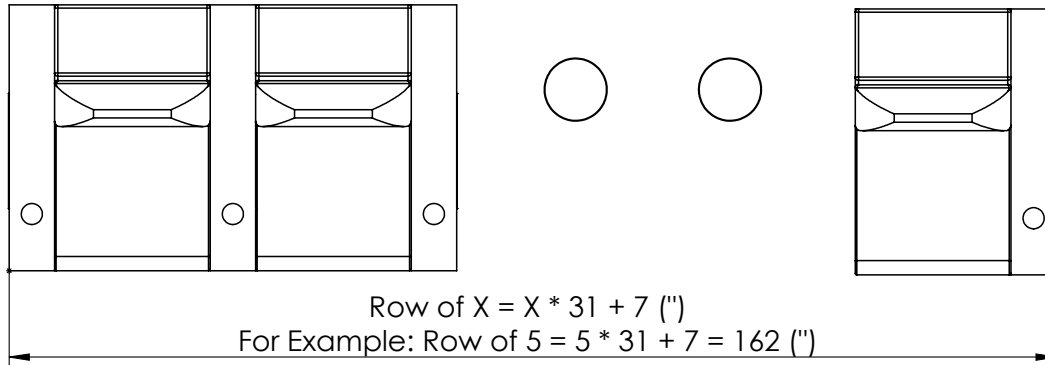
4

3

2

1

## Sample Seating Configurations



Row of X Seating Configurations:  $X = 1 \text{ Double} + Y \text{ Left} + Z \text{ Right}$

$X = 1 + Y + Z$

For example: Row of 6 = 1 Double + 0 Left + 5 Right

1 Double + 5 Left + 0 Right

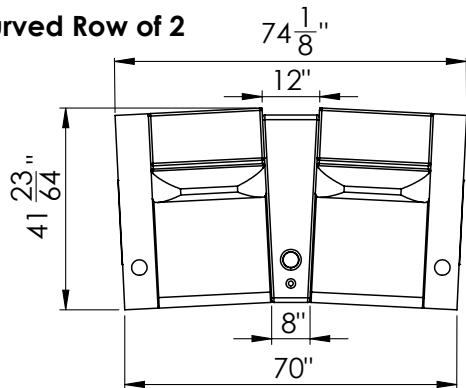
1 Double + 2 Left + 3 Right

 *Valencia*  
 HOME THEATER SEATING

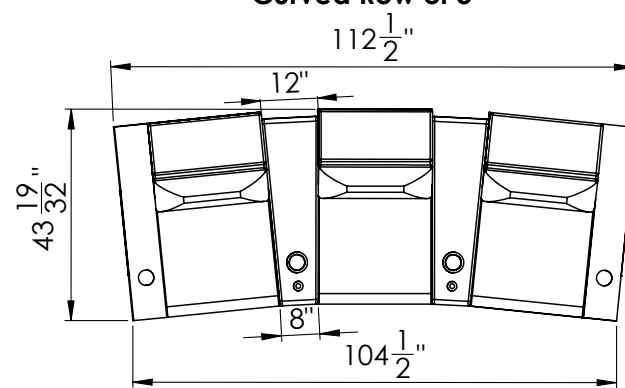
**Barcelona Ultimate  
 Technical Specifications**

**Sample Seating Configurations**

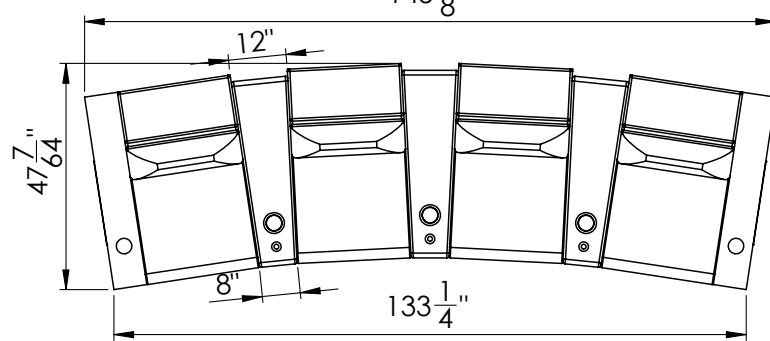
**Curved Row of 2**



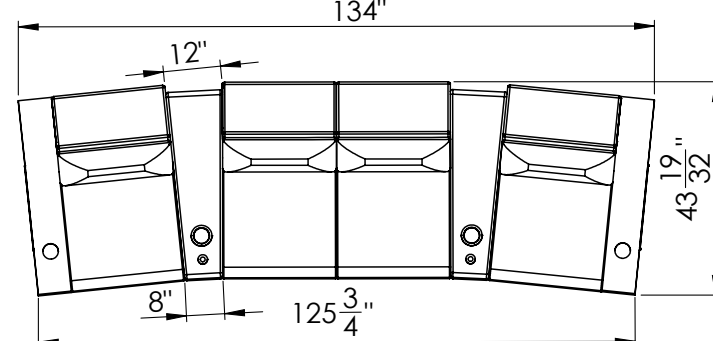
**Curved Row of 3**



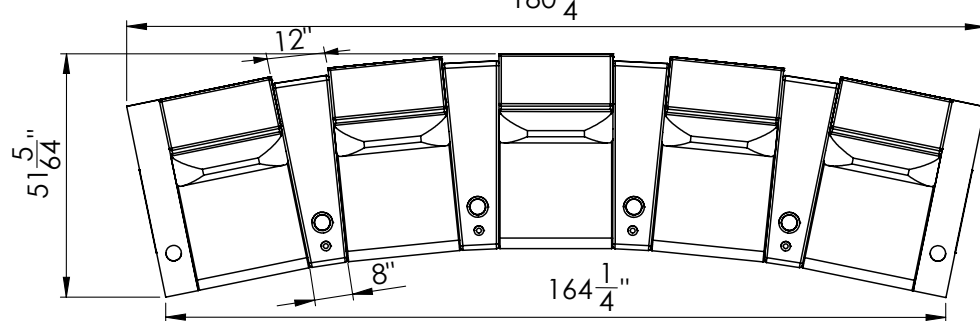
**Curved Row of 4**



**Curved Loveseat Row of 4**



**Curved Row of 5**



**Barcelona Ultimate  
Technical Specifications**