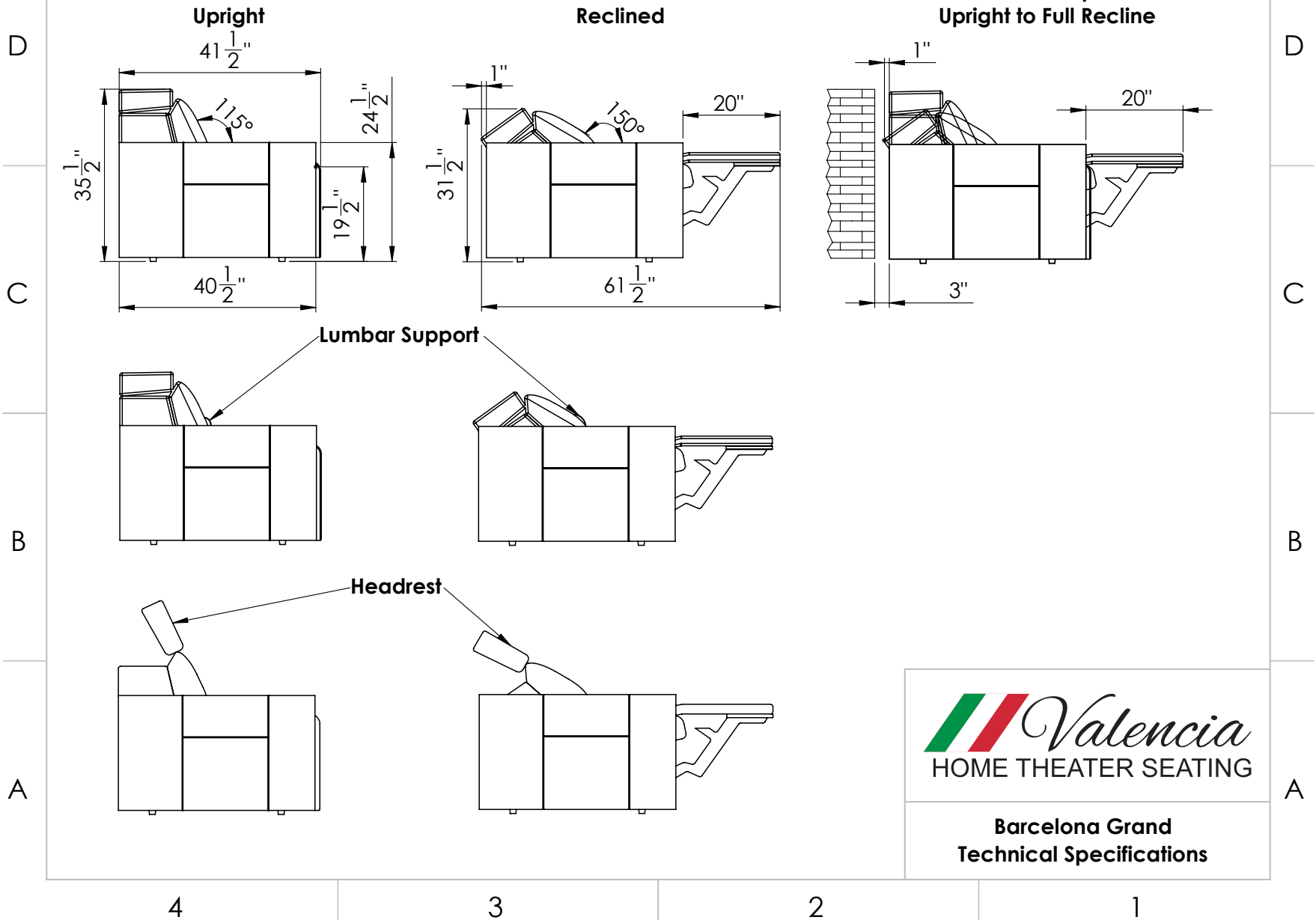
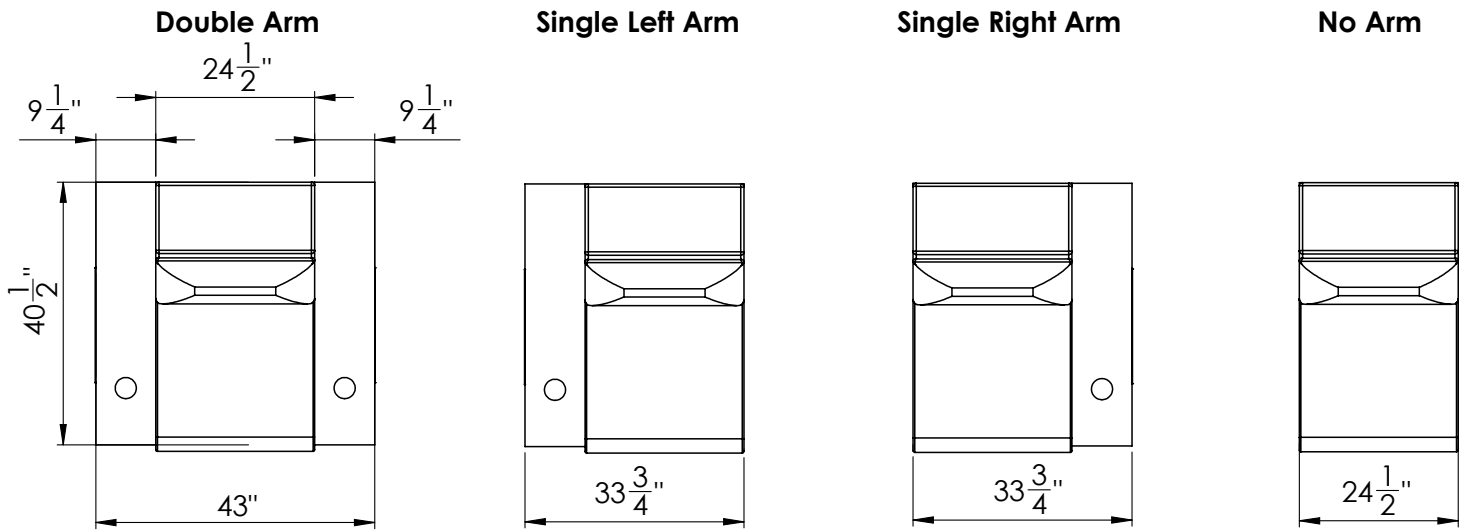


Seating Positions



Arm Configurations

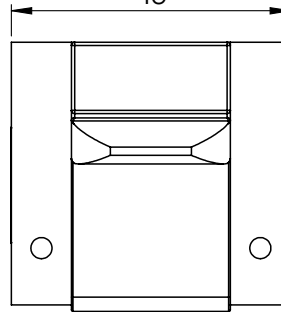


**Barcelona Grand
Technical Specifications**

Sample Seating Configurations

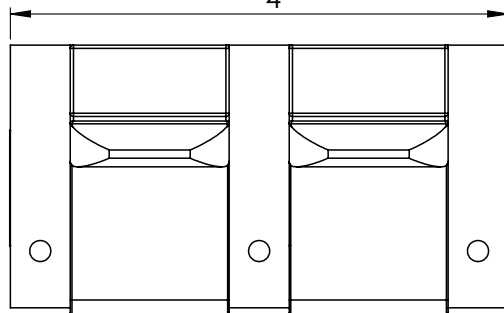
Single

43"



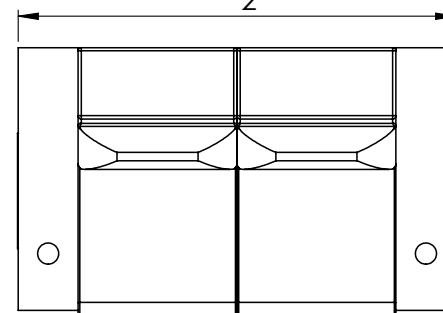
Row of 2

$76\frac{3}{4}$ "



Loveseat

$67\frac{1}{2}$ "



 *Valencia*
HOME THEATER SEATING

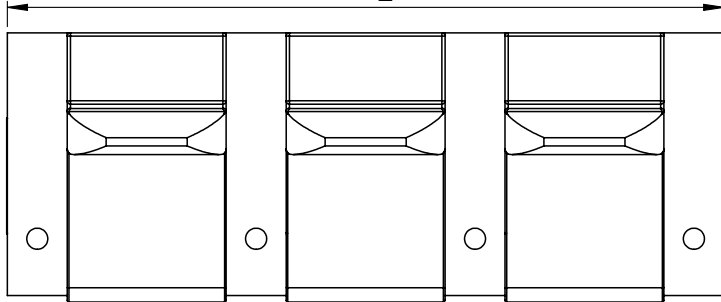
**Barcelona Grand
Technical Specifications**

Sample Seating Configurations

D

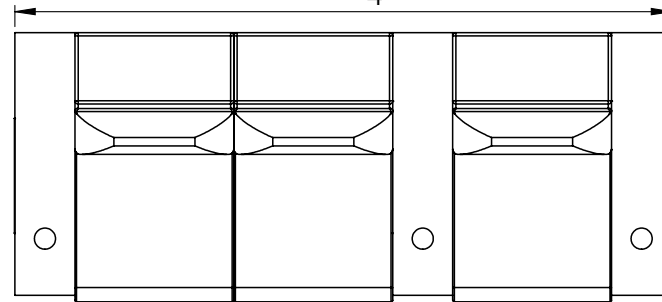
Row of 3

110 $\frac{1}{2}$ "



Loveseat Left

101 $\frac{1}{4}$ "



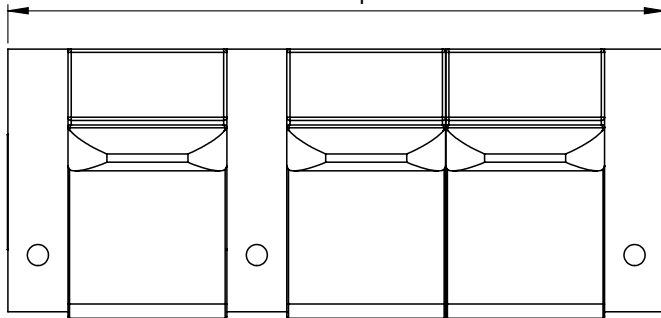
D

C

C

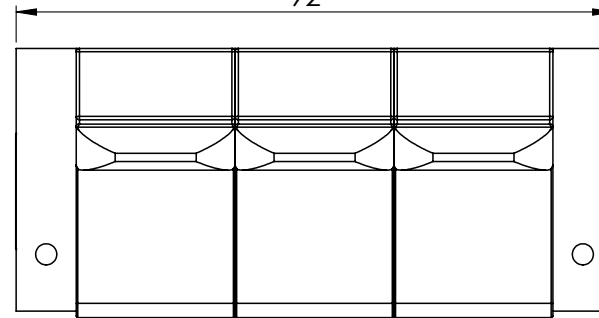
Loveseat Right

101 $\frac{1}{4}$ "



Set of 3

92"



B

B

A

A

4

3

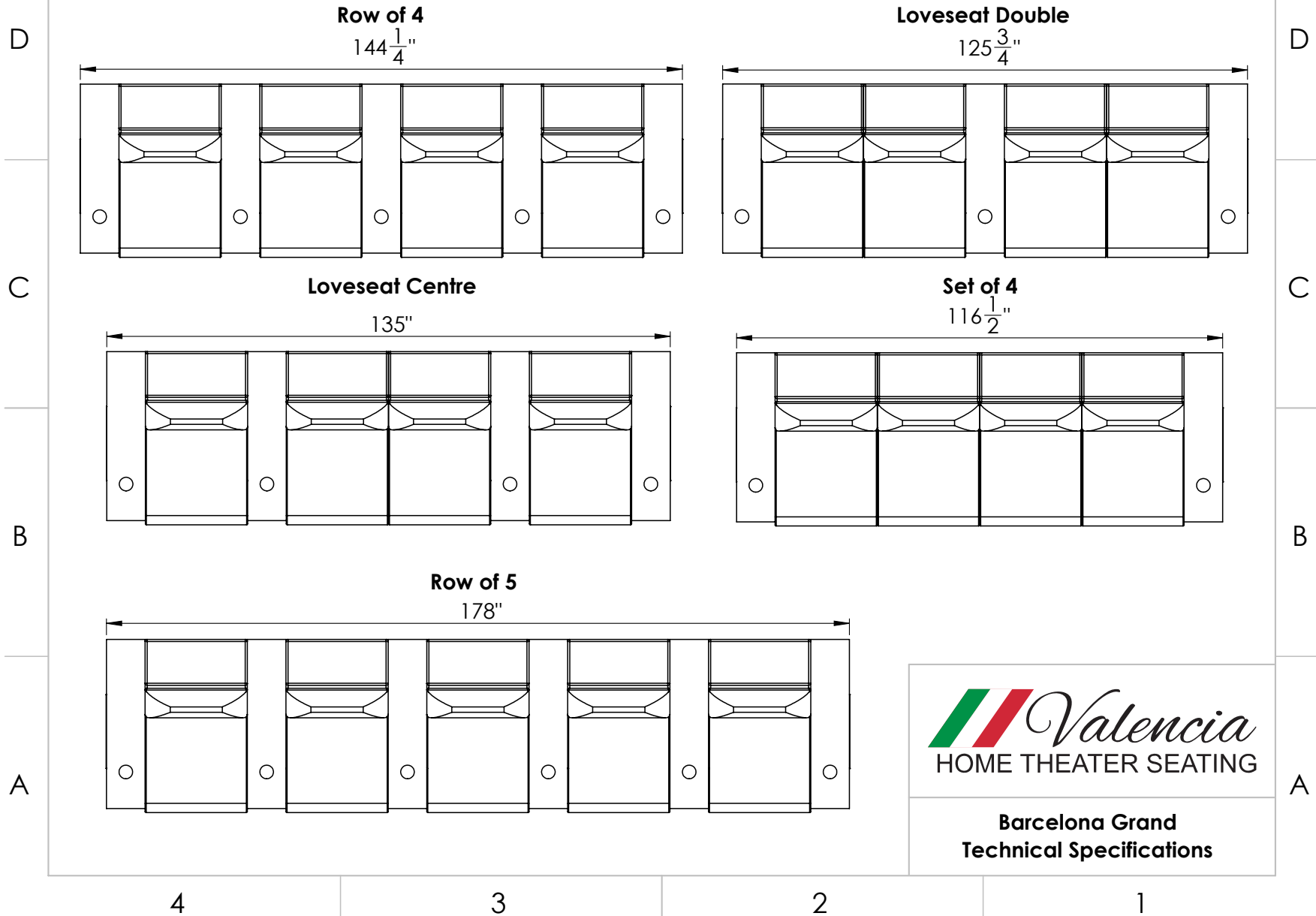
2

1

 *Valencia*
HOME THEATER SEATING

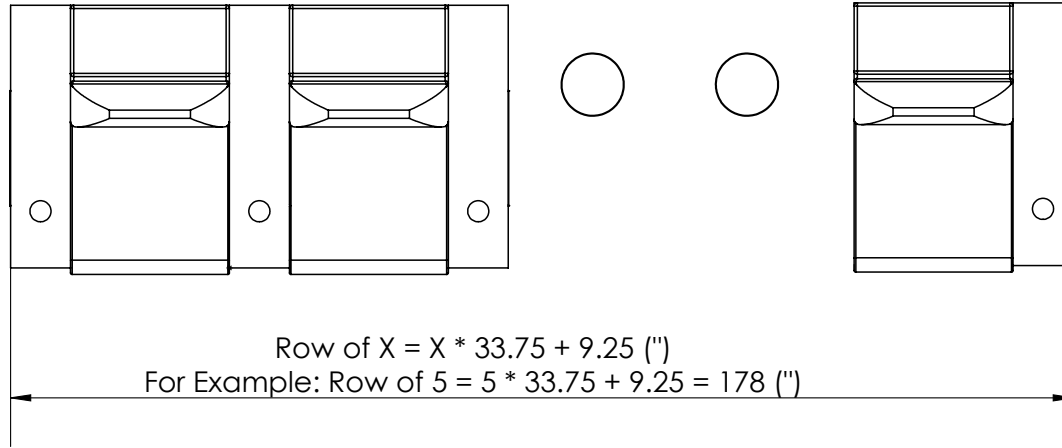
**Barcelona Grand
Technical Specifications**

Sample Seating Configurations



**Barcelona Grand
Technical Specifications**

Sample Seating Configurations



Row of X Seating Configurations: X = 1 Double + Y Left + Z Right

$$X = 1 + Y + Z$$

For example: Row of 6 = 1 Double + 0 Left + 5 Right

1 Double + 5 Left + 0 Right

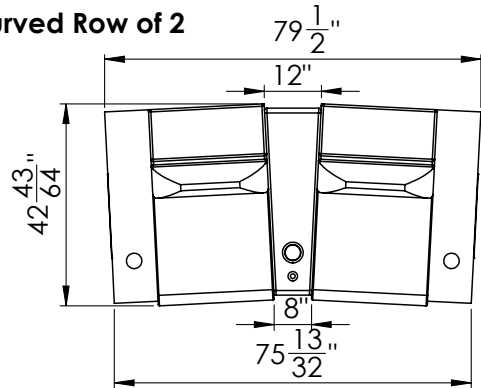
1 Double + 2 Left + 3 Right



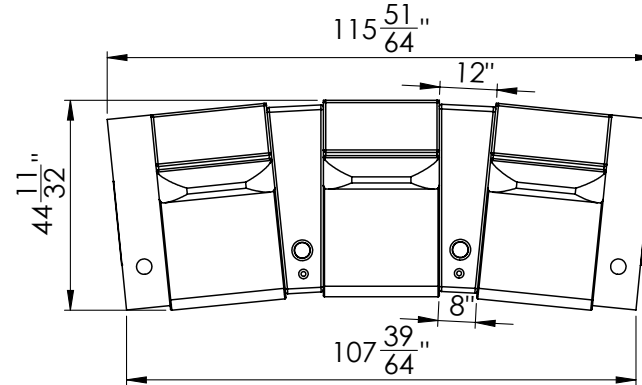
**Barcelona Grand
 Technical Specifications**

Sample Seating Configurations

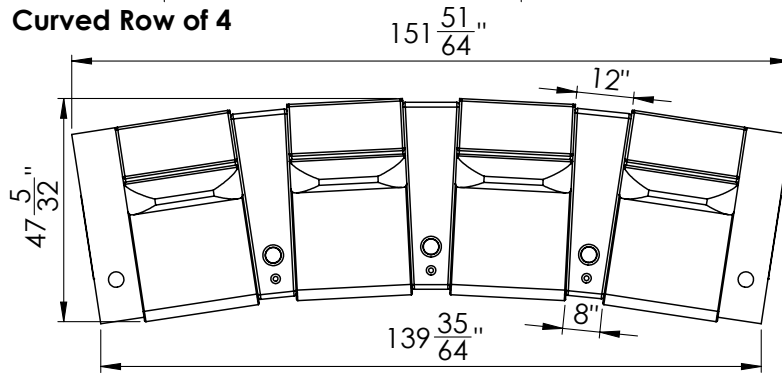
Curved Row of 2



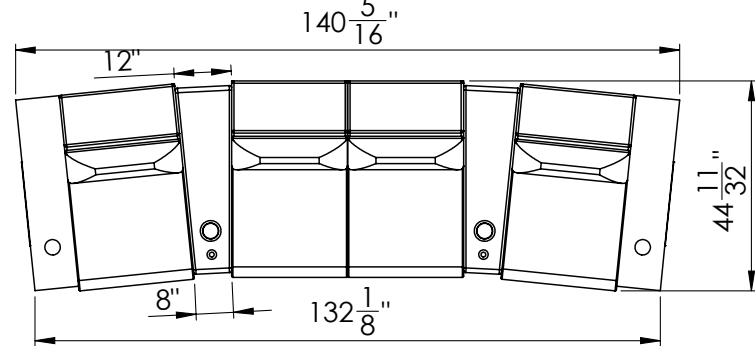
Curved Row of 3



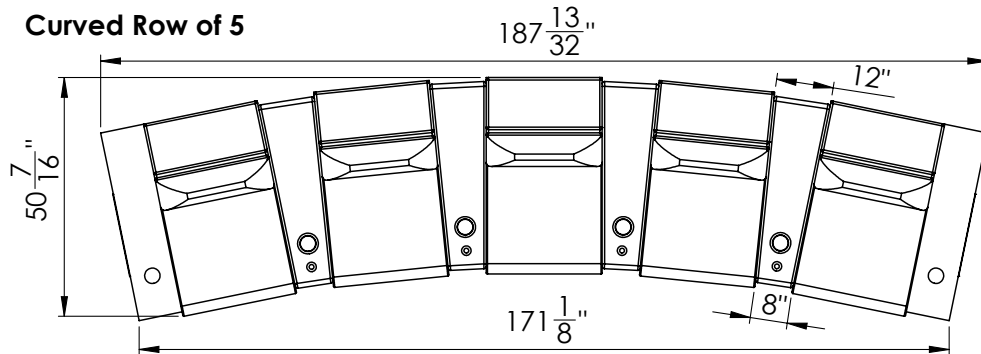
Curved Row of 4



Curved Loveseat Row of 4



Curved Row of 5



**Barcelona Grand
Technical Specifications**