

**Seating Positions**

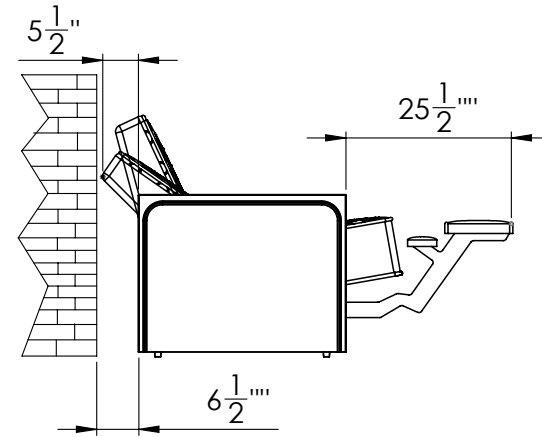
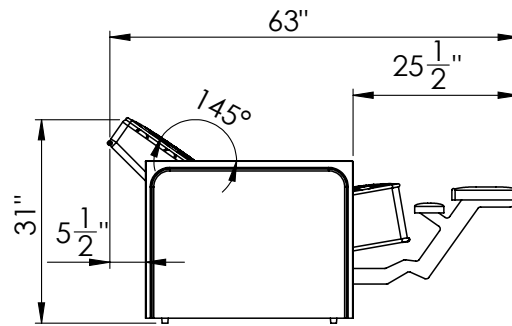
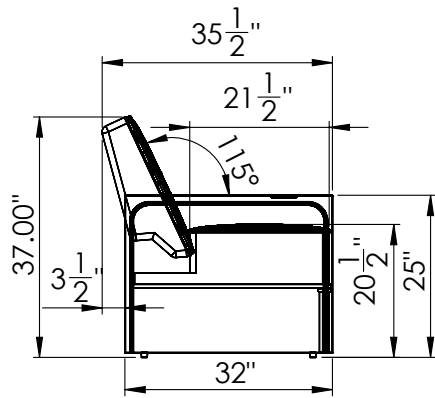
D

**Upright**

**Reclined**

**Clearance required from Upright to Full Recline**

D

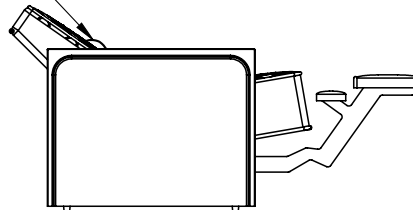
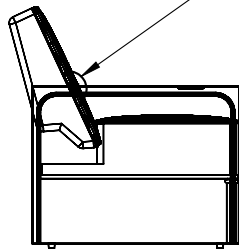


C

C

**Lumbar Support**

B



B

A

A

**Valencia**  
HOME THEATER SEATING

**Naples Prestige**  
Technical Specifications

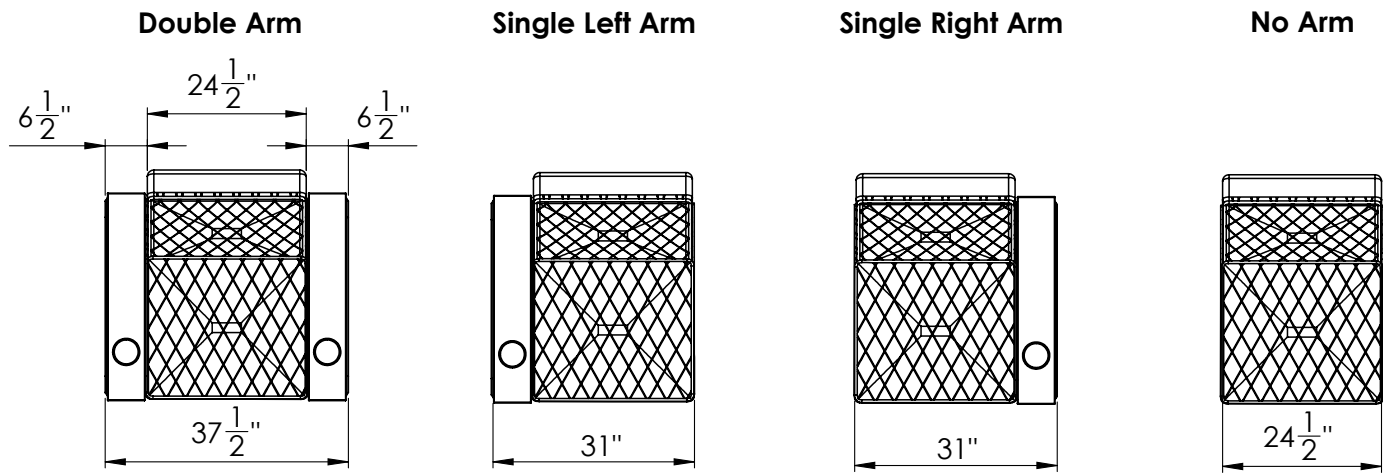
4

3

2

1

### Arm Configurations



 *Valencia*  
HOME THEATER SEATING

**Naples Prestige  
Technical Specifications**

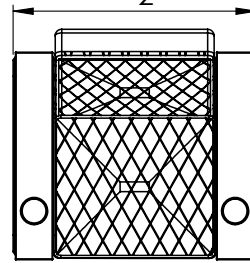
**Sample Seating Configurations**

D

D

**Single**

37  $\frac{1}{2}$ "

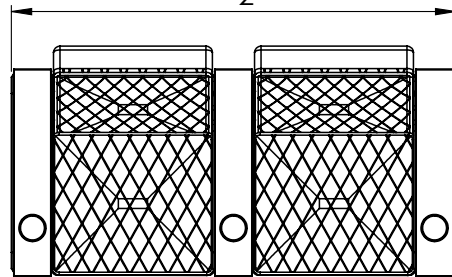


C

C

**Row of 2**

68  $\frac{1}{2}$ "

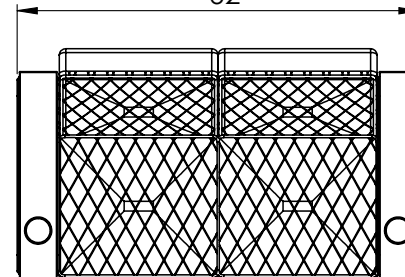


B

B

**Loveseat**

62"



A

A

 *Valencia*  
HOME THEATER SEATING

**Naples Prestige  
Technical Specifications**

4

3

2

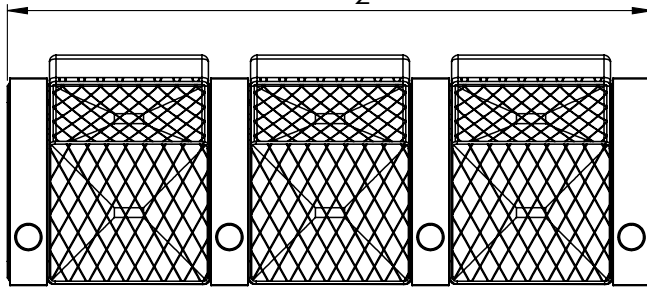
1

**Sample Seating Configurations**

D

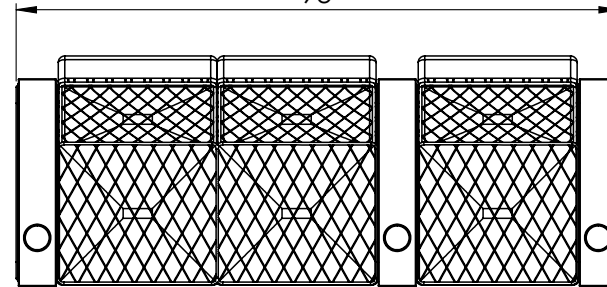
**Row of 3**

99  $\frac{1}{2}$ "



**Loveseat Left**

93"

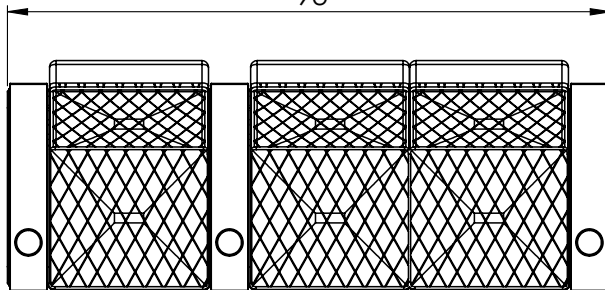


D

C

**Loveseat Right**

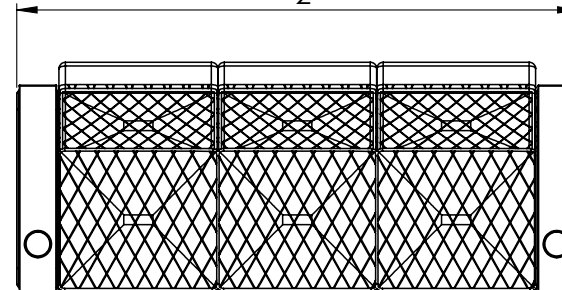
93"



C

**Set of 3**

86  $\frac{1}{2}$ "



B

B

A

A



**Naples Prestige  
Technical Specifications**

4

3

2

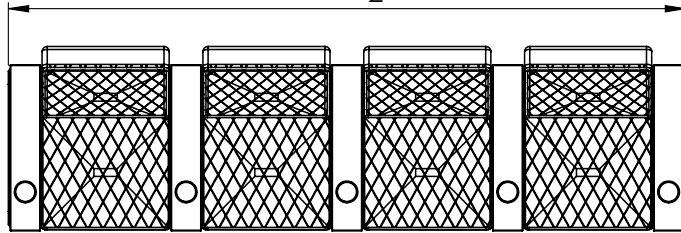
1

**Sample Seating Configurations**

D

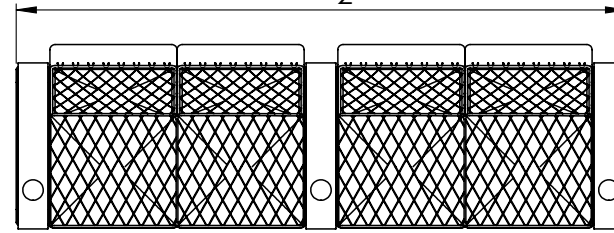
**Row of 4**

130½"



**Loveseat Double**

117½"

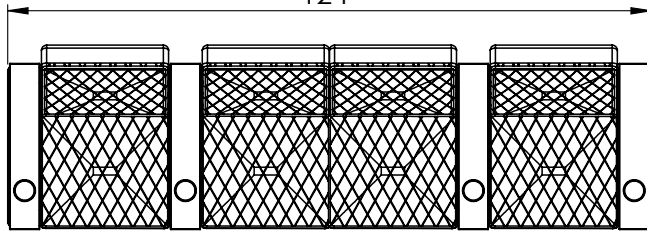


D

C

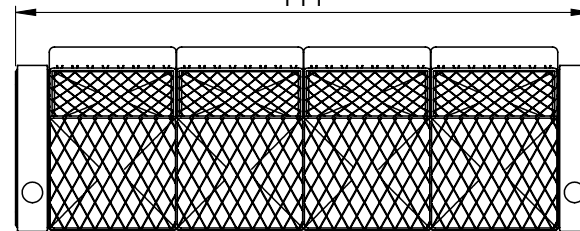
**Loveseat Centre**

124"



**Set of 4**

111"

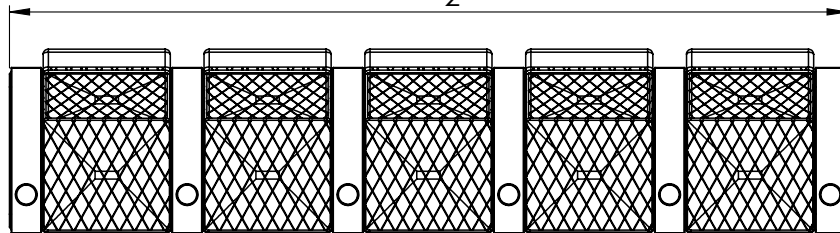


C

B

**Row of 5**

161½"



B

A

 *Valencia*  
HOME THEATER SEATING

**Naples Prestige  
Technical Specifications**

A

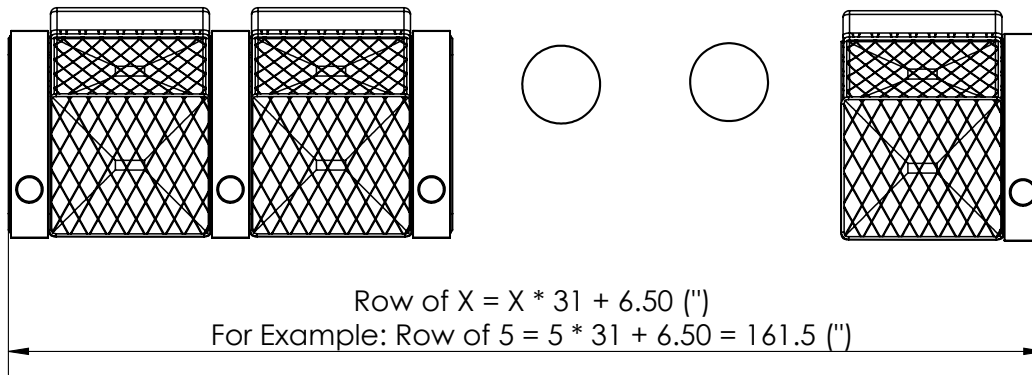
4

3

2

1

### Sample Seating Configurations



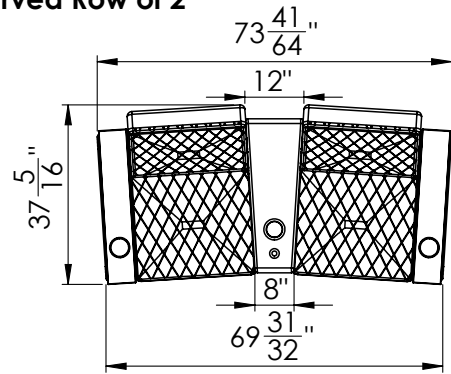
Row of X Seating Configurations: X = 1 Double + Y Left + Z Right  
 $X = 1 + Y + Z$   
 For example: Row of 6 = 1 Double + 0 Left + 5 Right  
 1 Double + 5 Left + 0 Right  
 1 Double + 2 Left + 3 Right

 *Valencia*  
 HOME THEATER SEATING

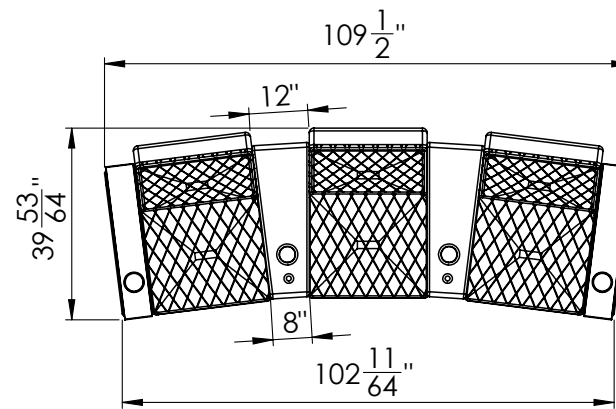
**Naples Prestige  
 Technical Specifications**

**Sample Seating Configurations**

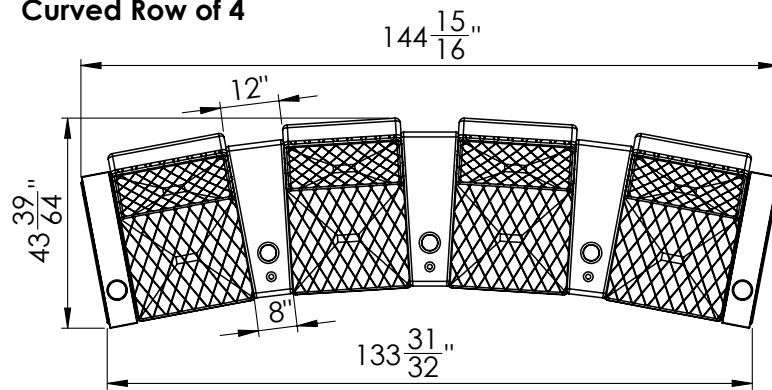
**Curved Row of 2**



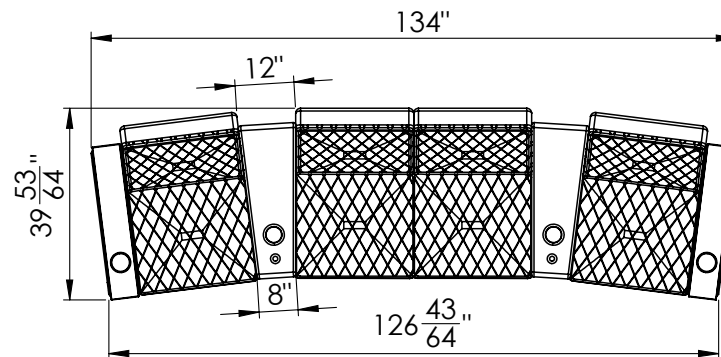
**Curved Row of 3**



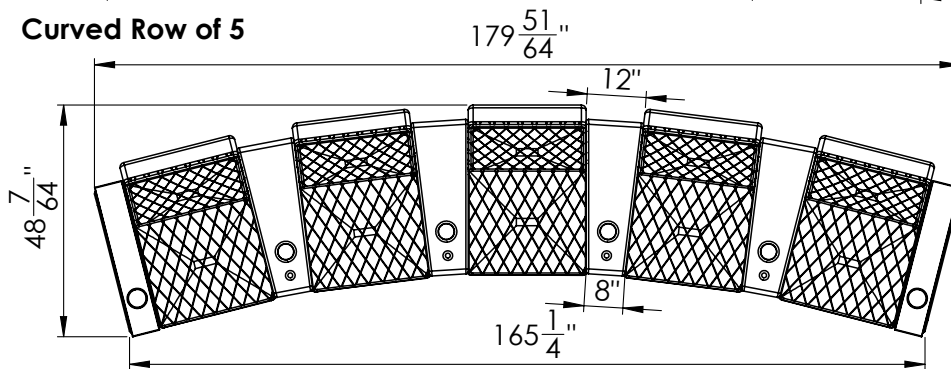
**Curved Row of 4**



**Curved Loveseat Row of 4**



**Curved Row of 5**



**Naples Prestige  
Technical Specifications**