

Seating Positions

D

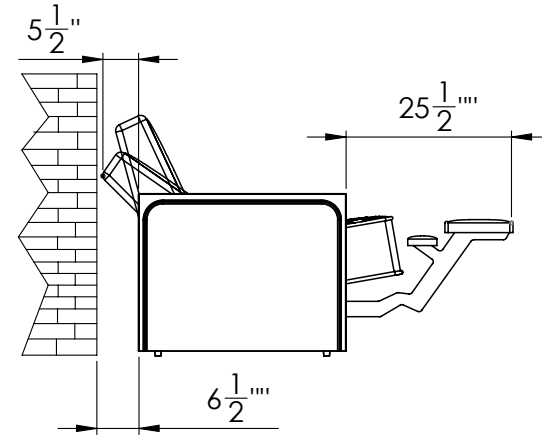
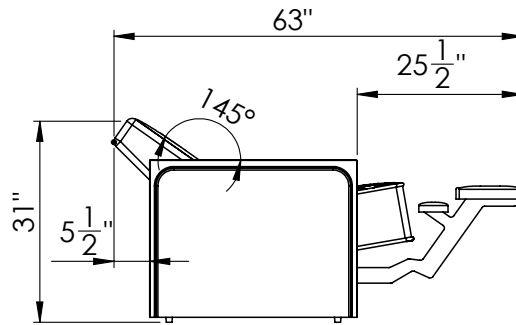
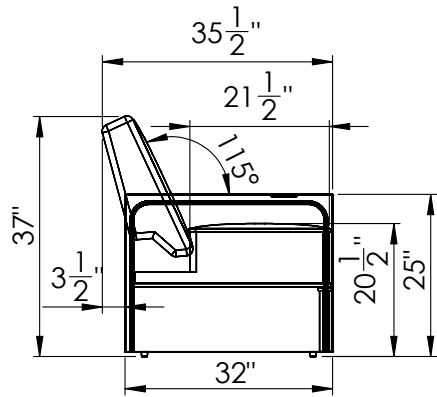
Upright

Reclined

Clearance required from Upright to Full Recline

D

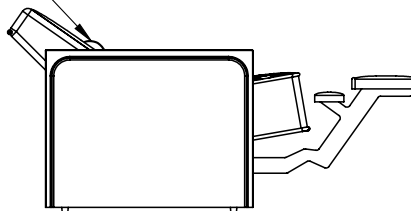
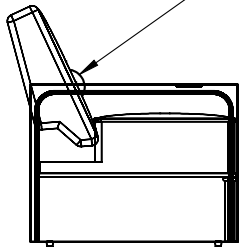
C



C

B

Lumbar Support



B

A

 *Valencia*
HOME THEATER SEATING

A

**Naples Elegance
Technical Specifications**

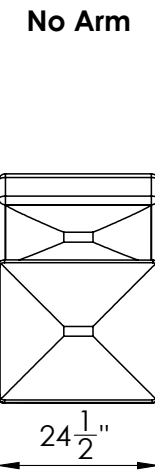
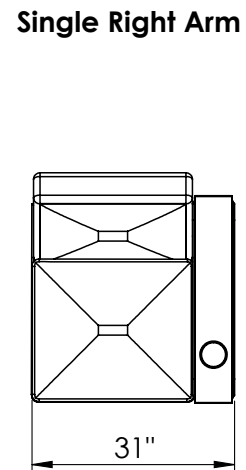
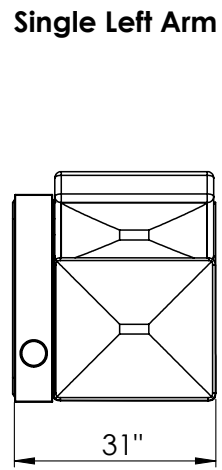
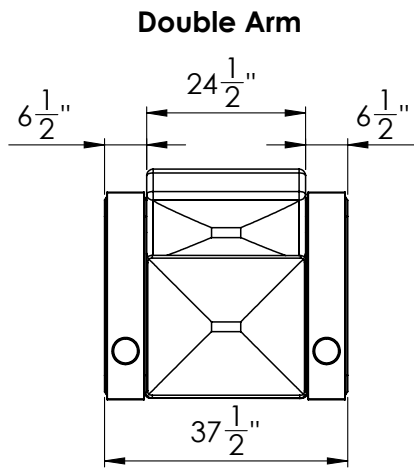
4

3

2

1

Arm Configurations

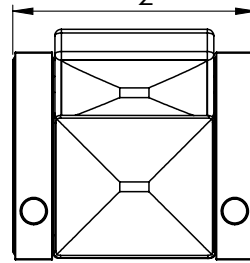


Naples Elegance
Technical Specifications

Sample Seating Configurations

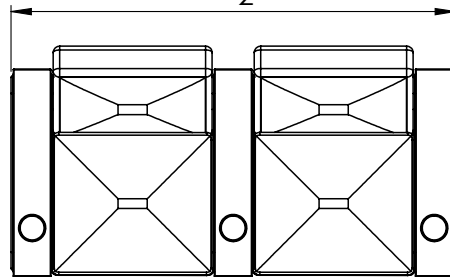
Single

37 ¹/₂"



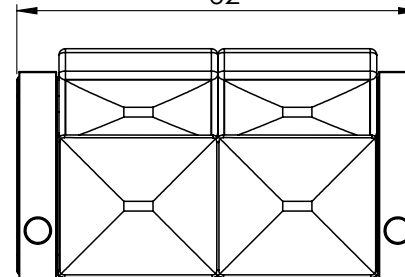
Row of 2

68 ¹/₂"



Loveseat

62"



 *Valencia*
HOME THEATER SEATING

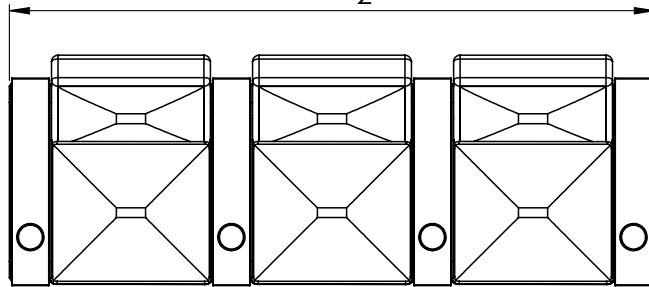
**Naples Elegance
Technical Specifications**

Sample Seating Configurations

D

Row of 3

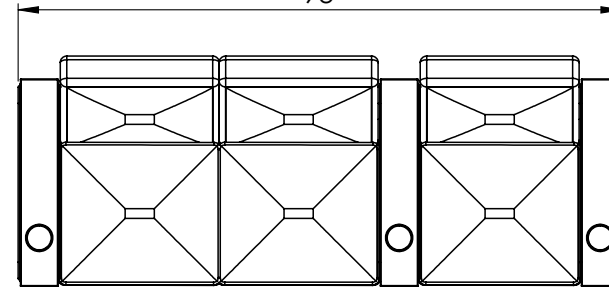
99 $\frac{1}{2}$ "



C

Loveseat Left

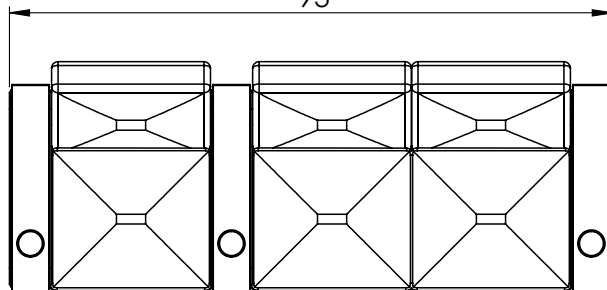
93"



D

Loveseat Right

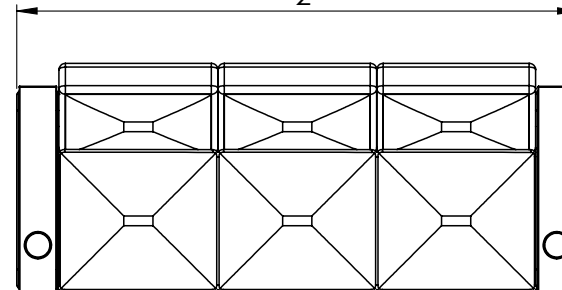
93"



B

Set of 3

86 $\frac{1}{2}$ "



C

B

A

A



**Naples Elegance
Technical Specifications**

4

3

2

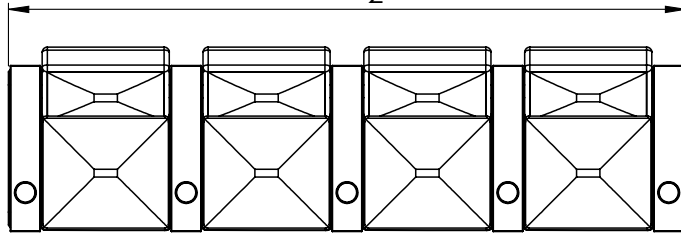
1

Sample Seating Configurations

D

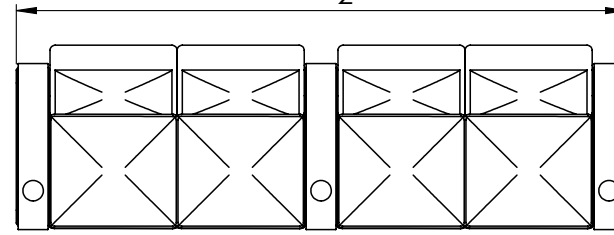
Row of 4

130 $\frac{1}{2}$ "



Loveseat Double

117 $\frac{1}{2}$ "

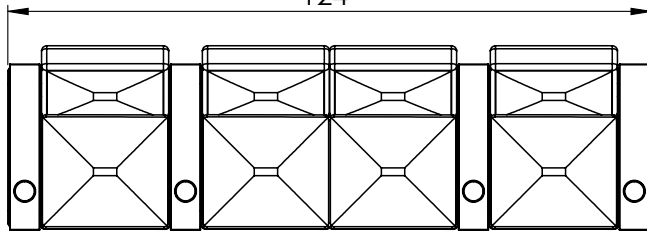


D

C

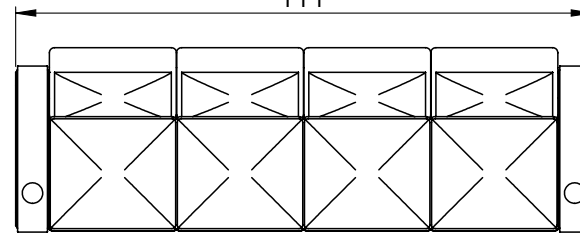
Loveseat Centre

124"



Set of 4

111"

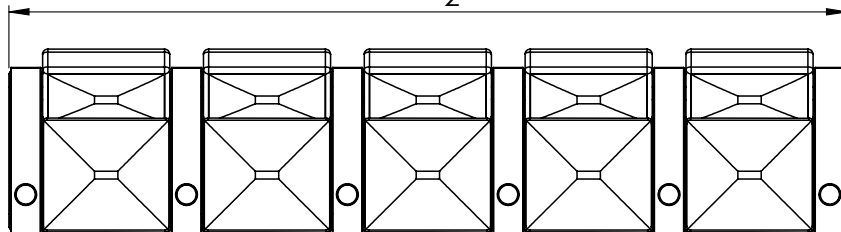


C

B

Row of 5

161 $\frac{1}{2}$ "



B

A

 *Valencia*
HOME THEATER SEATING

**Naples Elegance
Technical Specifications**

A

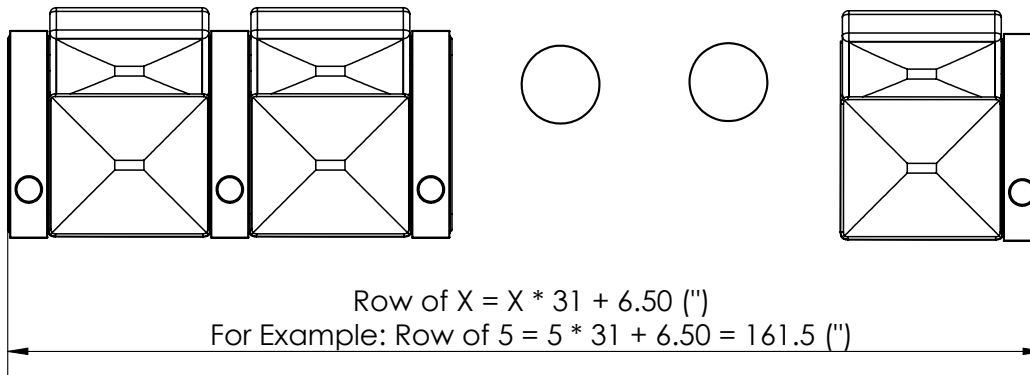
4

3

2

1

Sample Seating Configurations



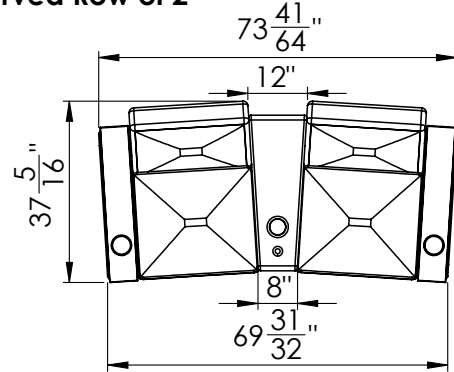
Row of X Seating Configurations: X = 1 Double + Y Left + Z Right
 $X = 1 + Y + Z$
 For example: Row of 6 = 1 Double + 0 Left + 5 Right
 1 Double + 5 Left + 0 Right
 1 Double + 2 Left + 3 Right

Valencia
 HOME THEATER SEATING

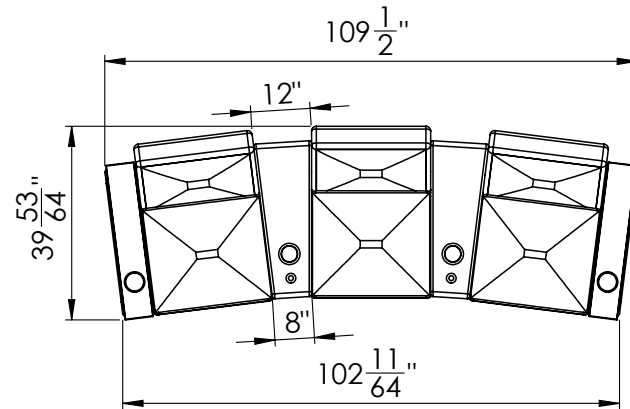
Naples Elegance
 Technical Specifications

Sample Seating Configurations

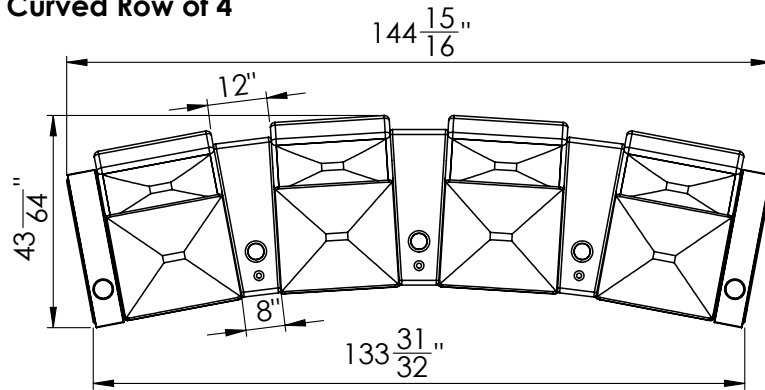
Curved Row of 2



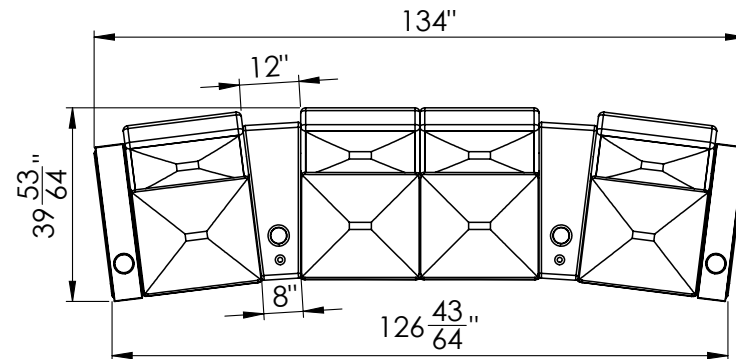
Curved Row of 3



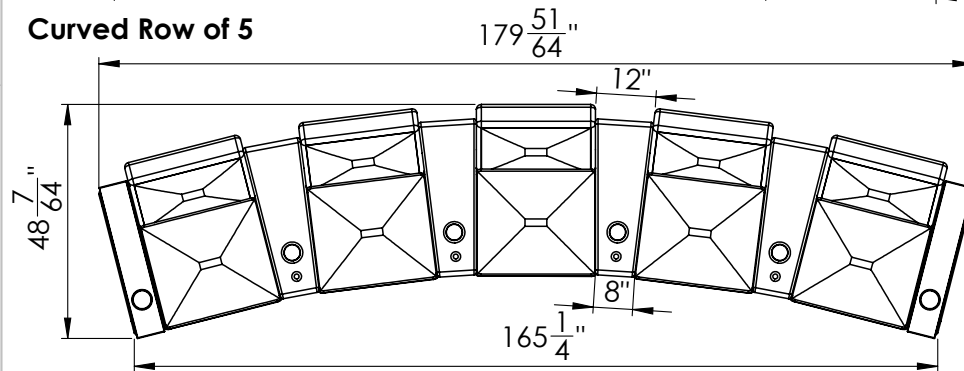
Curved Row of 4



Curved Loveseat Row of 4



Curved Row of 5



**Naples Elegance
Technical Specifications**