

**Seating Positions**

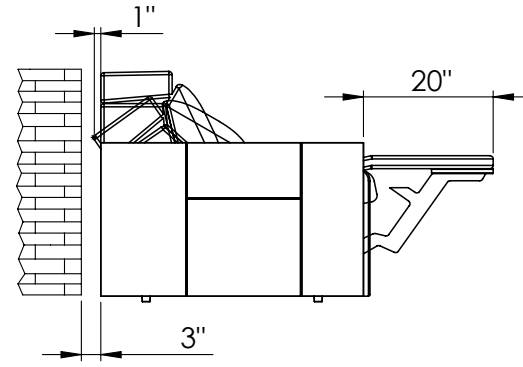
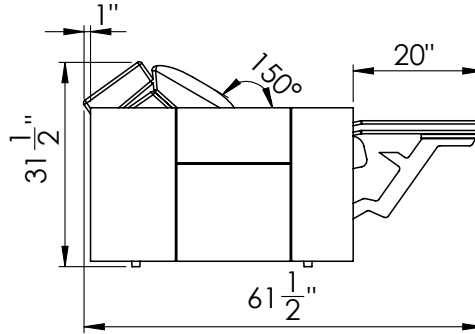
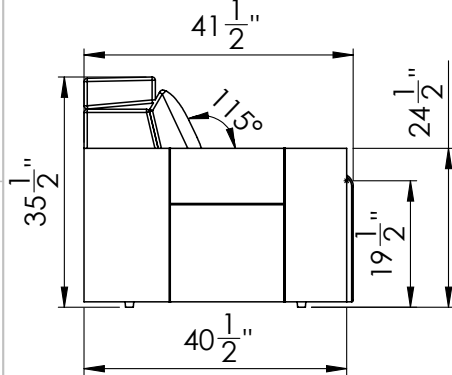
**Upright**

**Reclined**

**Clearance required from Upright to Full Recline**

D

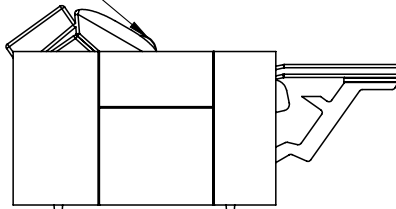
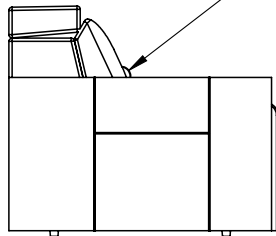
D



C

C

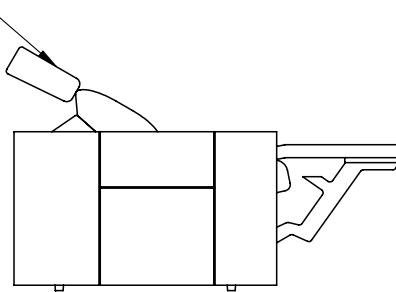
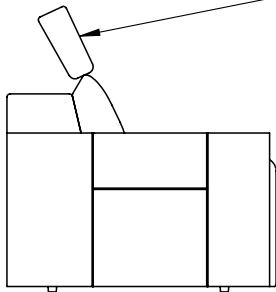
**Lumbar Support**



B

B

**Headrest**



A

A

 *Valencia*  
HOME THEATER SEATING

**Barcelona**  
**Technical Specifications**

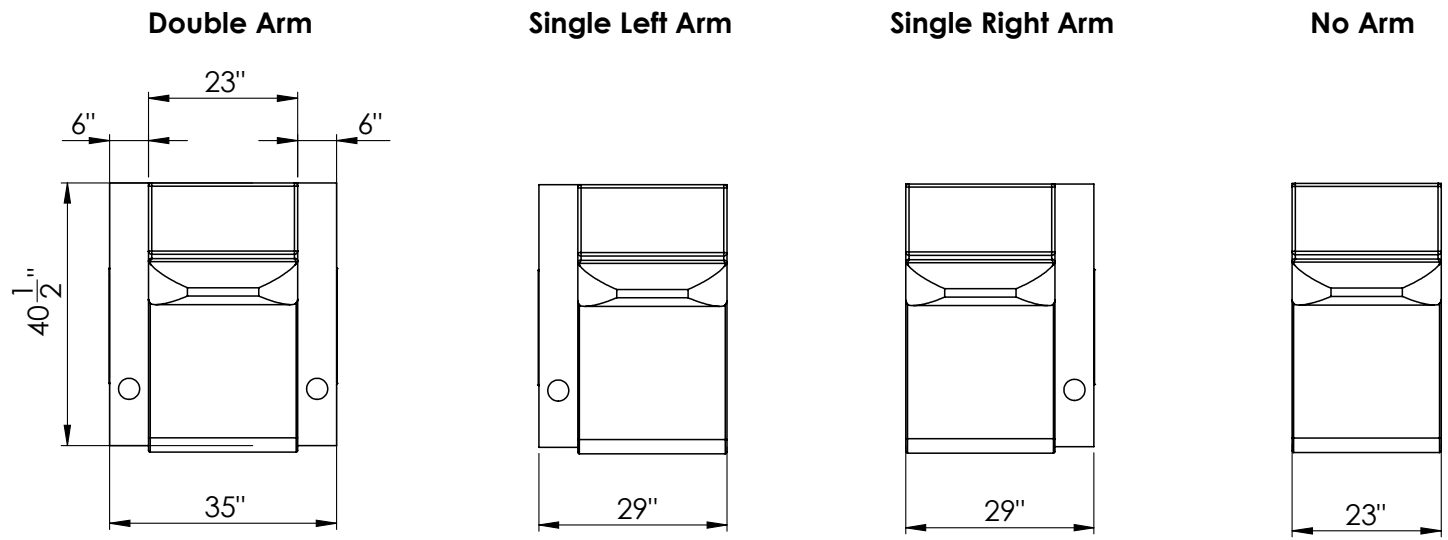
4

3

2

1

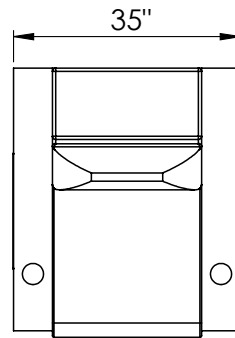
# Arm Configurations



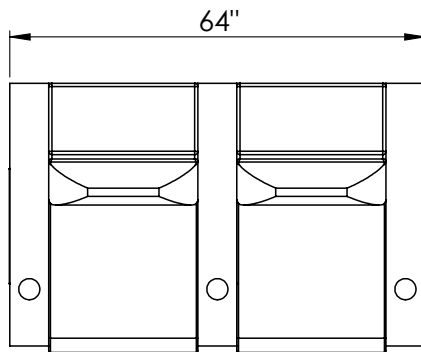
**Barcelona**  
**Technical Specifications**

**Sample Seating Configurations**

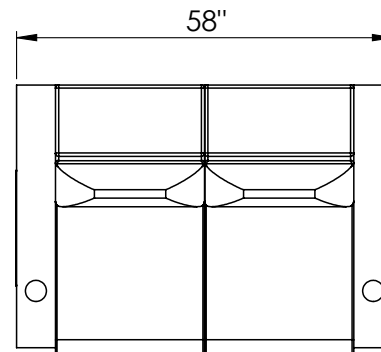
**Single**



**Row of 2**



**Loveseat**



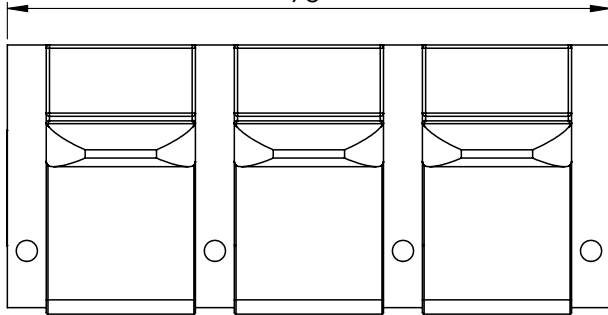
**Barcelona  
Technical Specifications**

**Sample Seating Configurations**

D

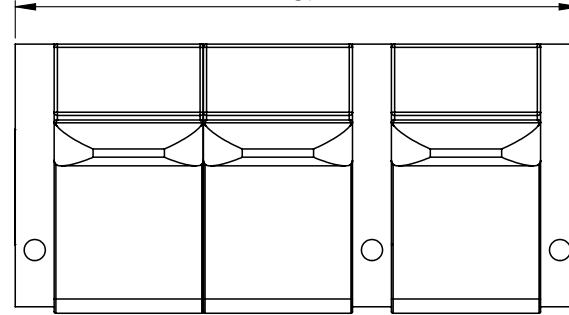
**Row of 3**

93"



**Loveseat Left**

87"



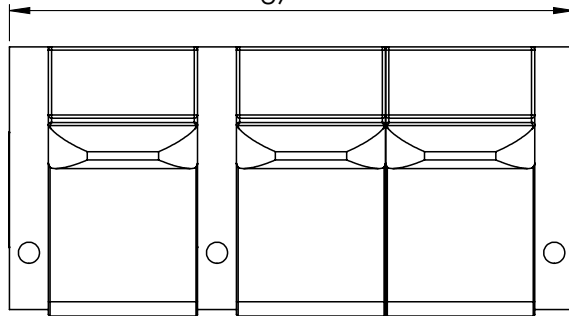
D

C

C

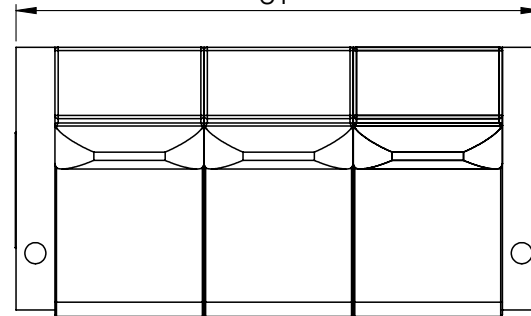
**Loveseat Right**

87"



**Set of 3**

81"



B

B

A

A

 *Valencia*  
HOME THEATER SEATING

**Barcelona**  
**Technical Specifications**

4

3

2

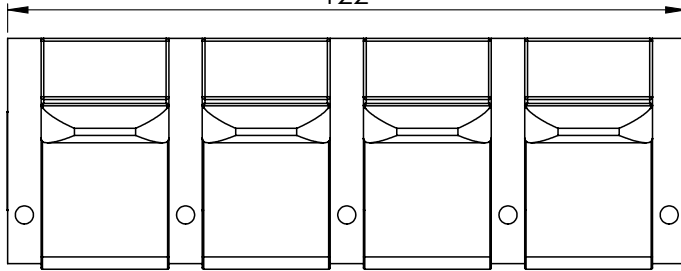
1

**Sample Seating Configurations**

D

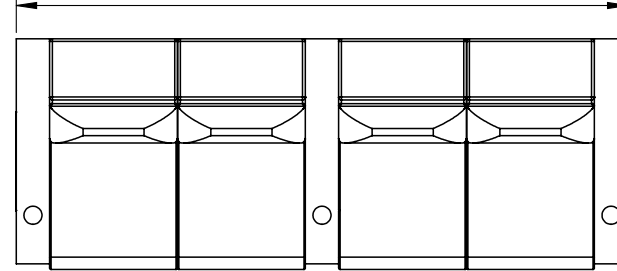
**Row of 4**

122"



**Loveseat Double**

110"

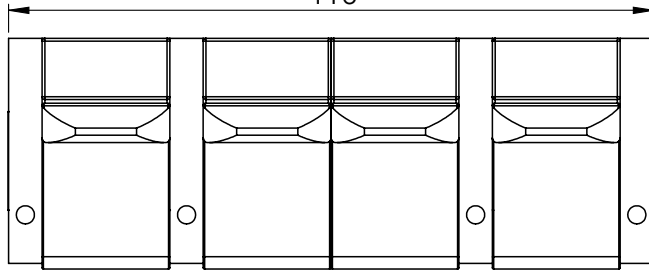


D

C

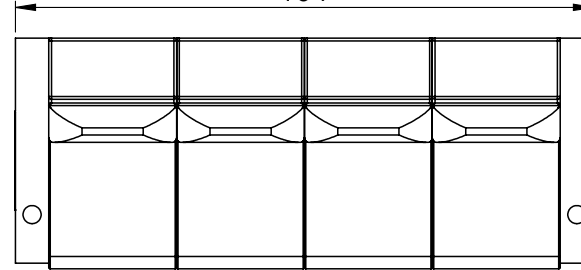
**Loveseat Centre**

116"



**Set of 4**

104"

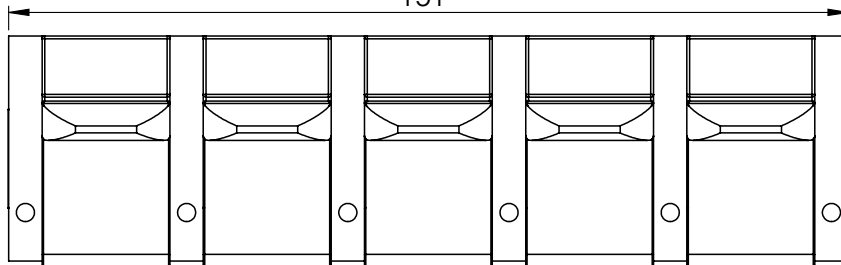


C

B

**Row of 5**

151"



B

A



A

**Barcelona  
Technical Specifications**

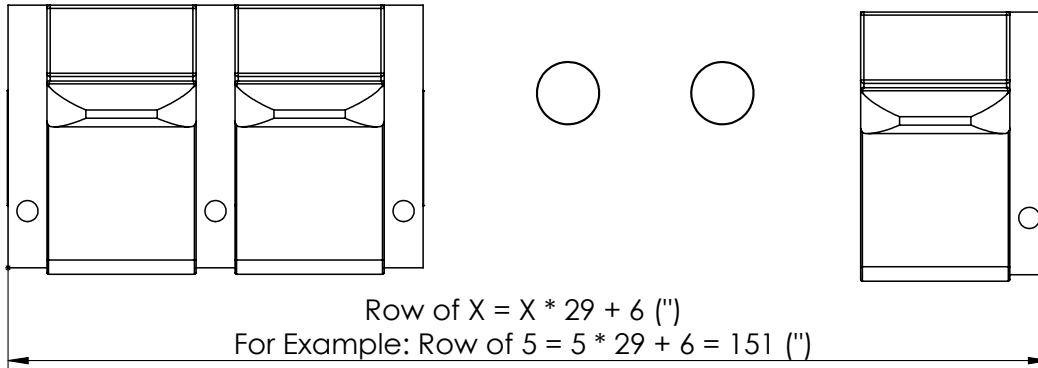
4

3

2

1

### Sample Seating Configurations



Row of X Seating Configurations:  $X = 1 \text{ Double} + Y \text{ Left} + Z \text{ Right}$

$$X = 1 + Y + Z$$

For example: Row of 6 = 1 Double + 0 Left + 5 Right

1 Double + 5 Left + 0 Right

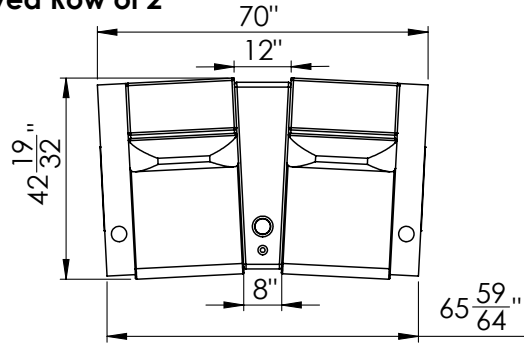
1 Double + 2 Left + 3 Right



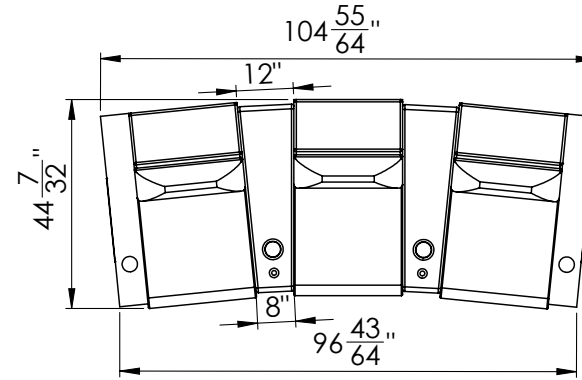
**Barcelona  
 Technical Specifications**

**Sample Seating Configurations**

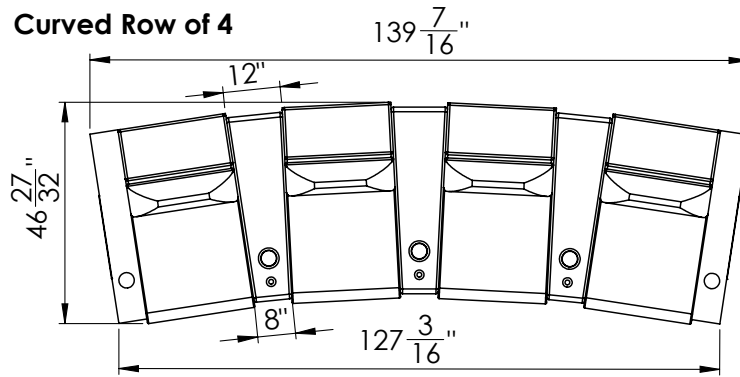
**Curved Row of 2**



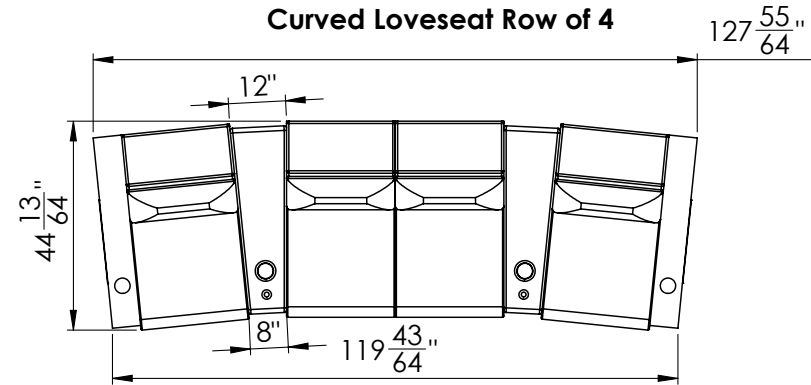
**Curved Row of 3**



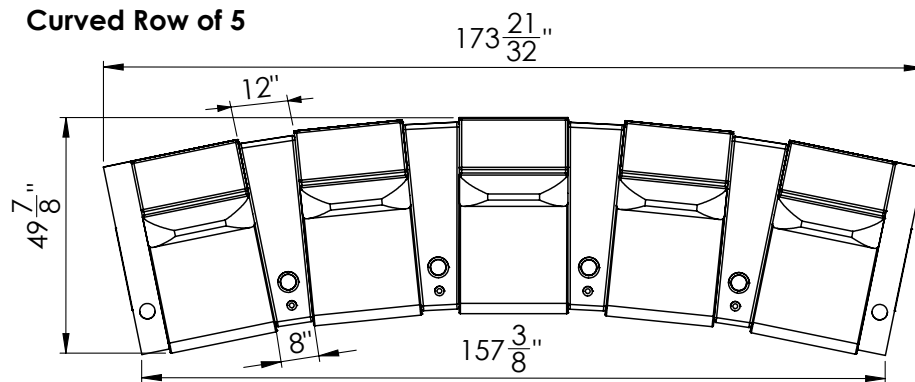
**Curved Row of 4**



**Curved Loveseat Row of 4**



**Curved Row of 5**



**Barcelona  
Technical Specifications**